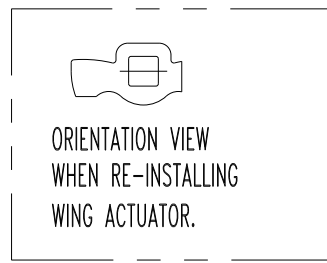
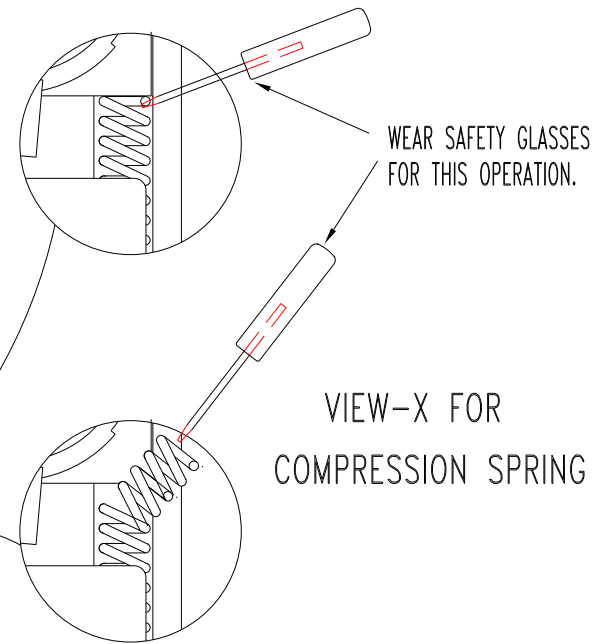
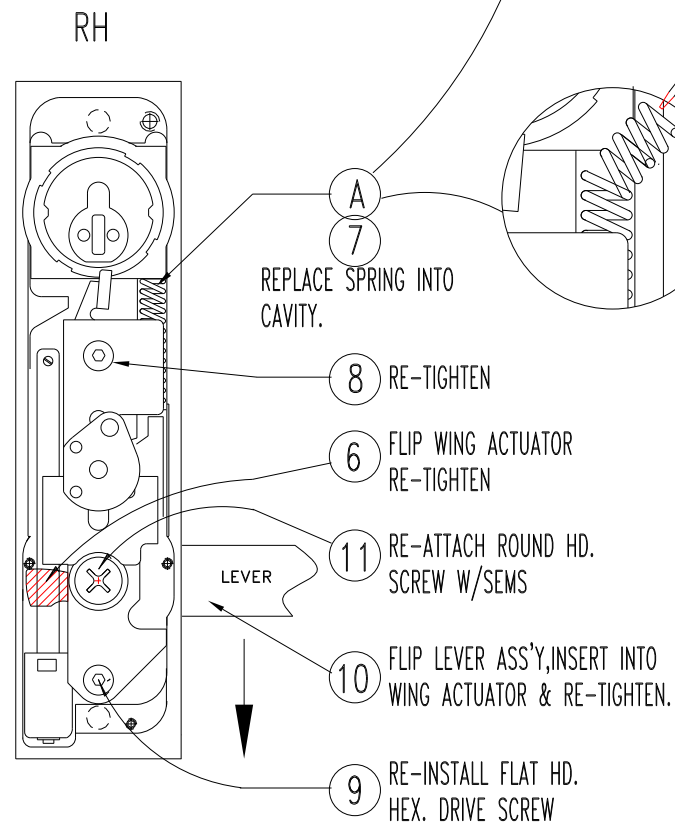
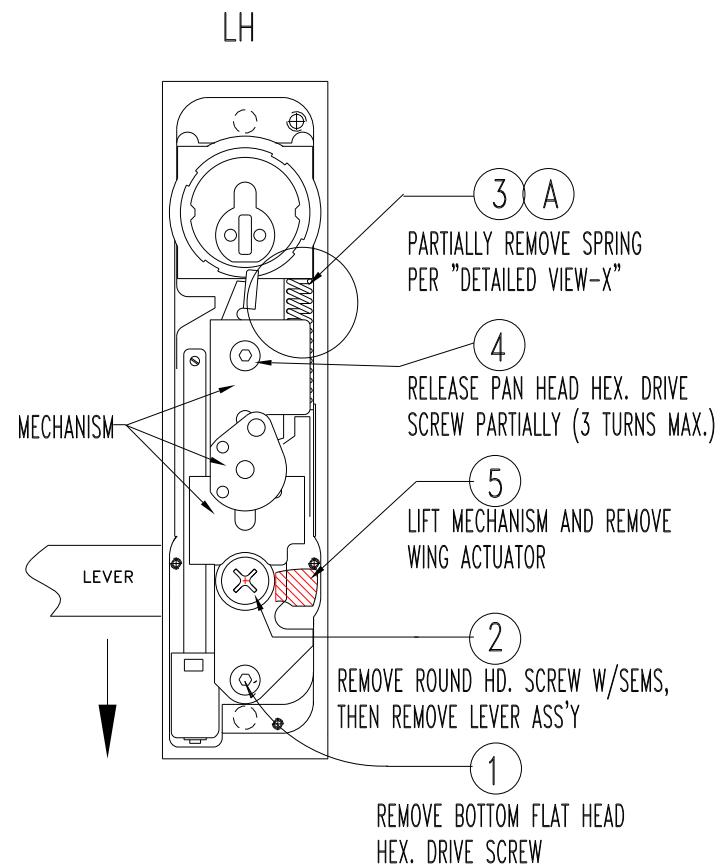


7500E THRU 9500E LEVER TRIM



LEVER ACTUATES
DOWNWARD

DIMENSIONAL TOLERANCES UNLESS OTHERWISE SPECIFIED	
DECIMAL DIMENSIONS .XX	± .010
DECIMAL DIMENSIONS .XXX	± .005
ANGULAR ± °	FRACTIONAL ± 1/64

APPROVALS	DATE
APPROVED	
CHECKED	
DRAWN	R.M. 5.10.03
SCALE	FULL

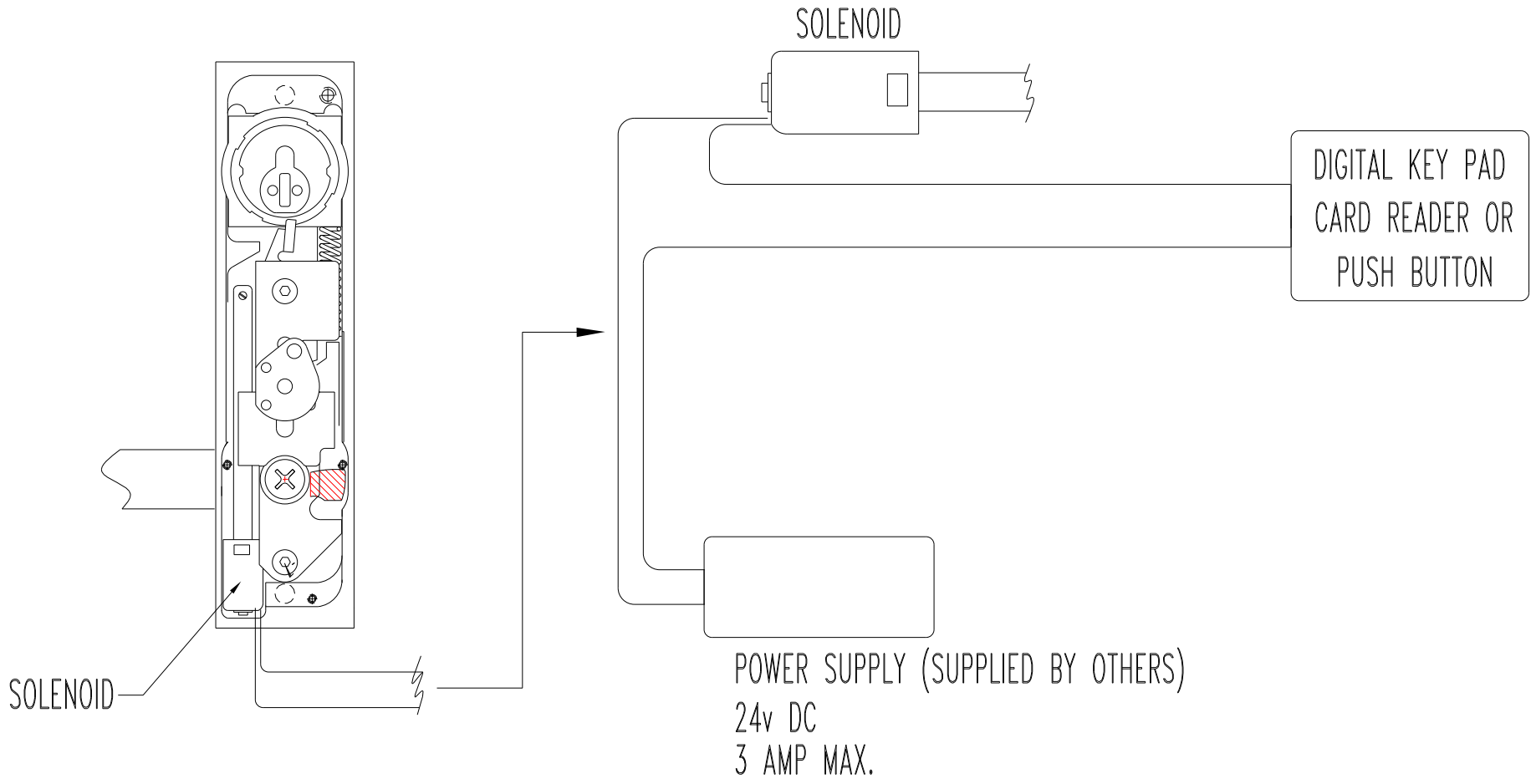
FILE NO.	MATERIAL
NEXT ASSY.	FINISH
QTY. USED	HEAT TREAT
1	

ELECTRIFIED OUTSIDE TRIM HANDLING
SELECTION GUIDE
7500E,8500E,9500E

jackson
CORPORATION

3447 UNION PACIFIC AVE.
LOS ANGELES, CALIF. 90023

SHEET 1 OF 1 SHEETS
DWG. NO. 10-1069
REV. A



DIMENSIONAL TOLERANCES UNLESS OTHERWISE SPECIFIED		APPROVALS	DATE
DECIMAL DIMENSIONS .XX	± .010	APPROVED	
DECIMAL DIMENSIONS .XXX	± .005	CHECKED	
ANGULAR ± °	FRACTIONAL ± 1/64	DRAWN	R.M., 5.21.03



3447 UNION PACIFIC AVE.
LOS ANGELES, CALIF. 90023

FILE NO.	MATERIAL	SCALE	FULL
NEXT ASSY.	FINISH	ELECTRIFIED OUTSIDE TRIM SCHEMATIC	
QTY. USED	HEAT TREAT	7500E,8500E,9500E	SHEET 1 OF 1 SHEETS
1			DWG. NO. 10-1097
			REV. A